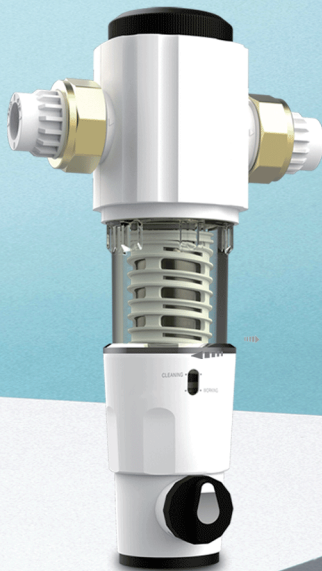


# PRE-FILTER

Guarding the first level of whole  
house water purification

P2



High precision  
filtering



316L  
Stainless steel  
strainer



Filter element  
replacement free



Protect washing  
appliances



Environmentally friendly  
copper material

# FILTRATION OF HAZARDS FROM THE SOURCE

Guarding the first level of whole house water purification



**Water purifier**  
Prolong the life of filter element



**Washing machine**  
Protect rotating bearings



**Dishwasher**  
Don't worry about the cleanliness of tableware.



**Water heater**  
Reduce scaling and clogging



**Faucet**  
Prevent aging blockage

# POLYMER EXPLOSION-PROOF FILTER BOTTLE

Strictly select the material of the water-related parts and adopt the imported material of milk bottle

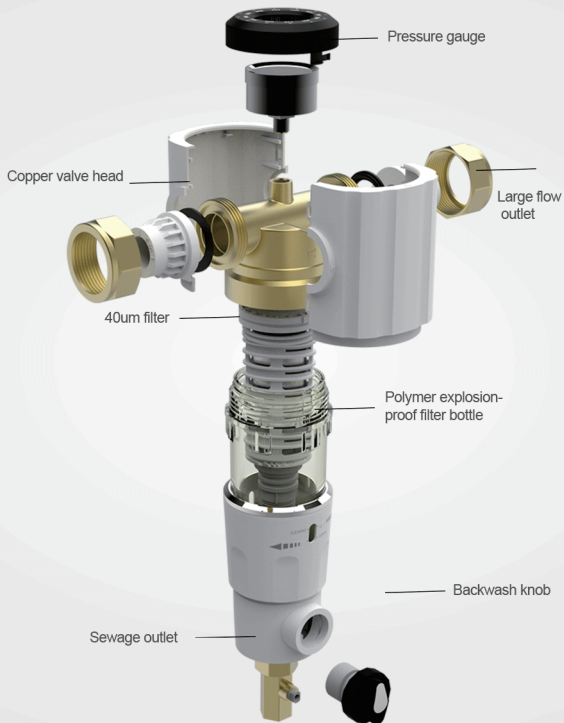
More than **200000**  
waterproof hammers

**60kg** explosion-proof

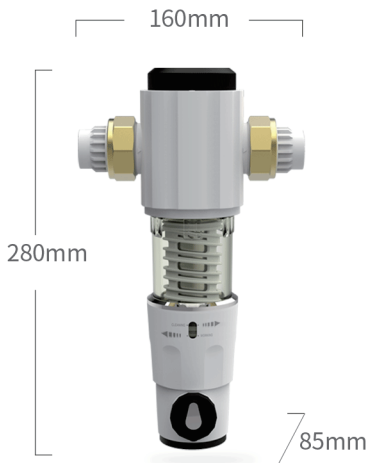
No bisphenol A



# EXQUISITE HIGH-END APPEARANCE



# PRODUCT PARAMETERS



Product model: P2

Filtering accuracy: 40 $\mu$ m

Effluent flow: 4T/h

Product size: 160\*85\*280mm

Work pressure: 0.1~1.0MPa

Connector size: 1/2", 3/4", 1"

Applicable temperature: 5°C-45 °C

Applicable water quality: municipal tap water